

TECHNOLOGY REPORT

Marshall Electronics, Inc.

1910 East Maple Av, El Segundo, CA 90245 USA

TEL : 310-333-0606

FAX : 310-333-0688

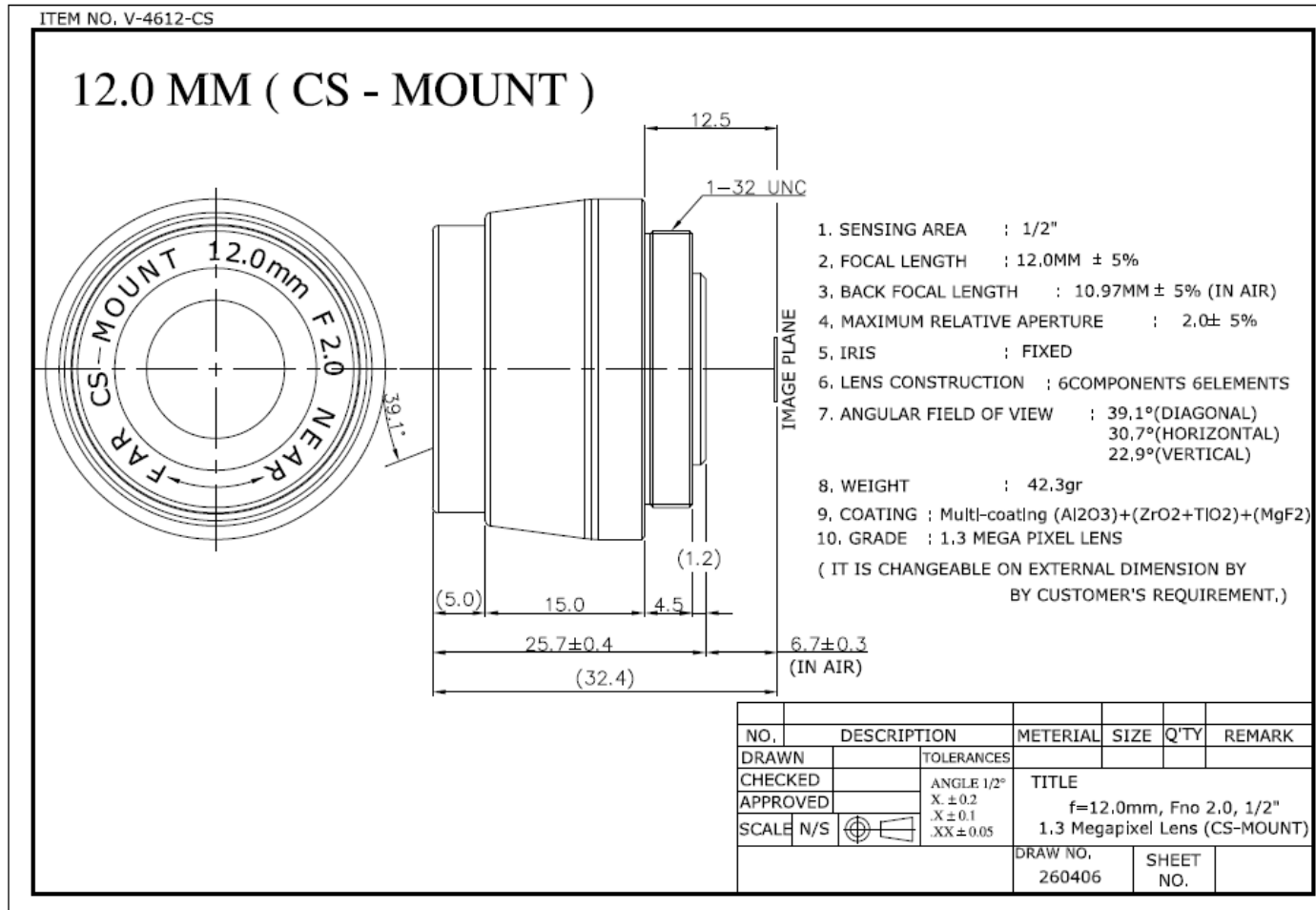
Website: www.marshall-usa.com

Email: sales@mars-cam.com

V-4612-CS

12.0mm F2.0 CS-Mount 1.3 MegaPixel CCTV Lens

Specification Data Sheet



TECHNOLOGY REPORT

Marshall Electronics, Inc.

1910 East Maple Av, El Segundo, CA 90245 USA

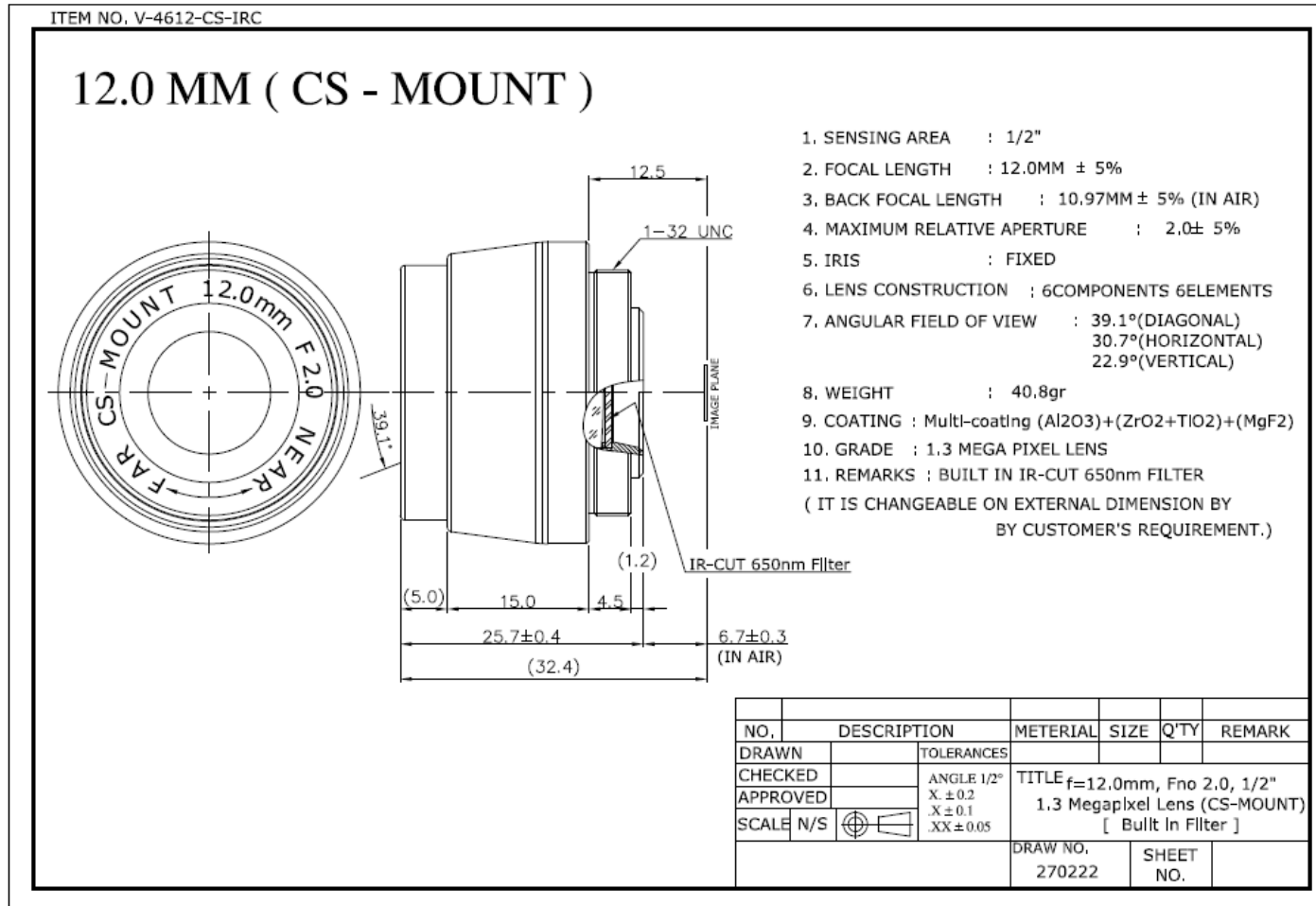
TEL : 310-333-0606

FAX : 310-333-0688

Website: www.marshall-usa.com

Email: sales@mars-cam.com

V-4612-CS-IRC 12.0mm F2.0 (650nm IR Cut Filter) CS-Mount 1.3 MegaPixel CCTV Lens Specification Data Sheet



TECHNOLOGY REPORT

Marshall Electronics, Inc.

1910 East Maple Av, El Segundo, CA 90245 USA

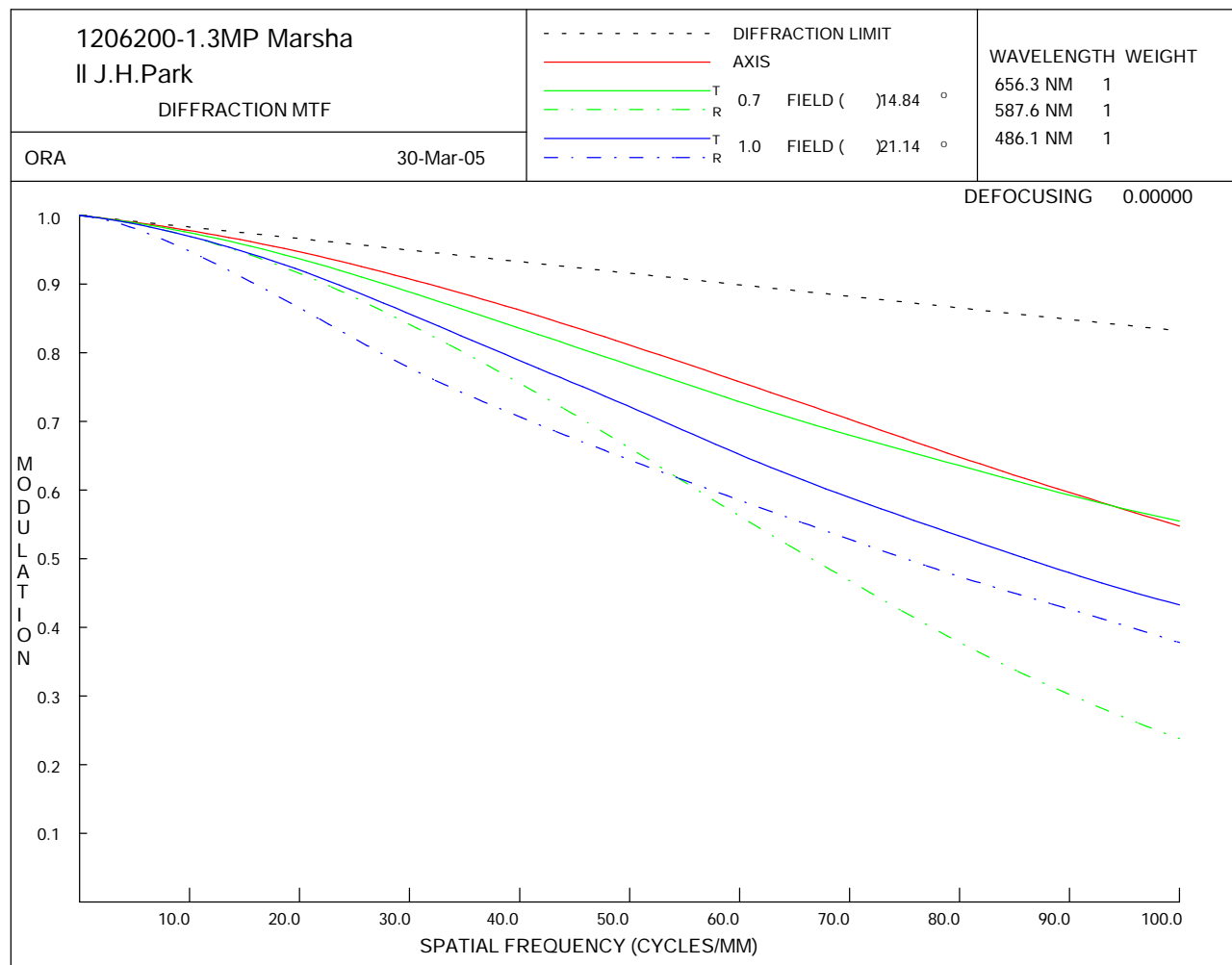
TEL : 310-333-0606

FAX : 310-333-0688

Website: www.marshall-usa.com

Email: sales@mars-cam.com

MTF (modulation transfer function)



TECHNOLOGY REPORT

Marshall Electronics, Inc.

1910 East Maple Av, El Segundo, CA 90245 USA

TEL : 310-333-0606

FAX : 310-333-0688

Website: www.marshall-usa.com

Email: sales@mars-cam.com

Optical Distortion Optical Distortion

